


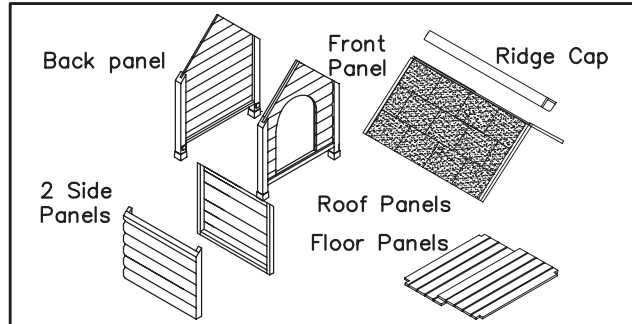
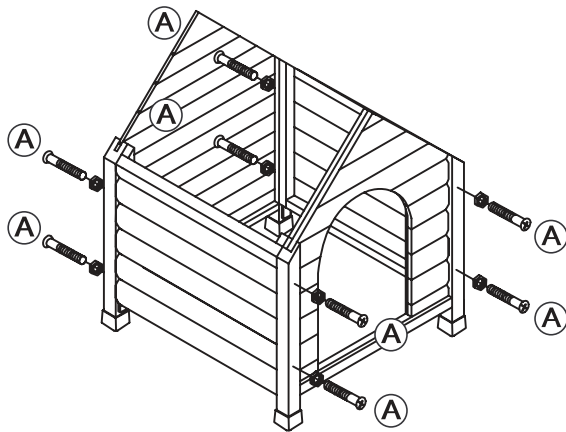


DOG HOUSE ASSEMBLY INSTRUCTIONS

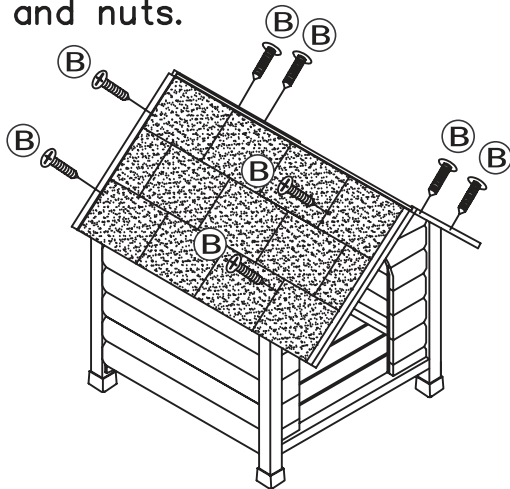
- A  Bolts and Nuts (8 Sets)
- B  Screws (8 pcs)
- C  Screws (4 pcs)



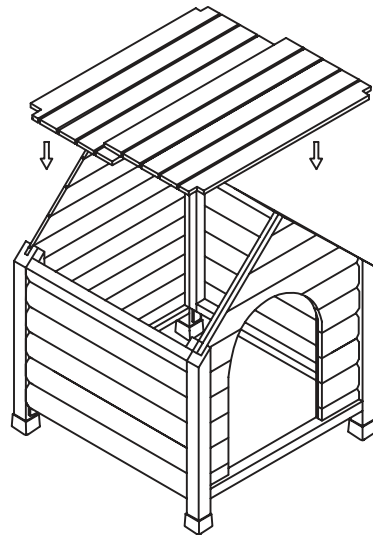
Simple Set-Up



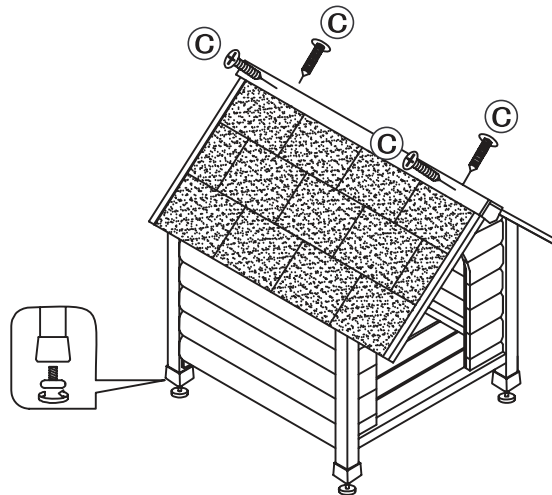
Step 1:
Secure Side Panels with bolts and nuts.



Step 3:
Attach roofs and secure with screws.



Step 2:
Drop in floor.



Step 4
Secure ridge cap onto roof with screws and attach name badge with nails.

